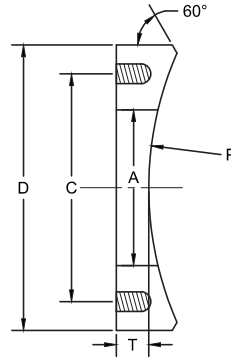
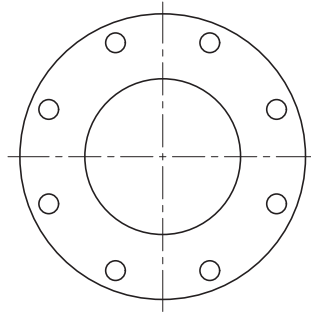




IRON STRONG

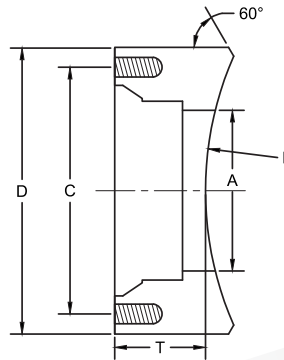
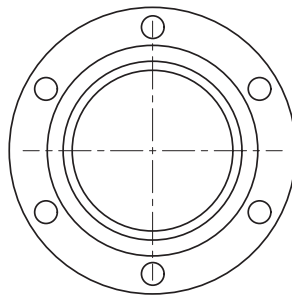
DUCTILE IRON PIPE

WELD-ON BOSS



DUCTILE IRON FLANGE WELD-ON BOSS

NOM. SIZE "A"	"C" BOLT CIRCLE	"D" O.D.	"T" THICKNESS	BOLT HOLES	TAP SIZE
3	6.00	7.50	1.00	4	5/8 - 11
4	7.50	9.00	1.00	8	5/8 - 11
6	9.50	11.00	1.25	8	3/4 - 10
8	11.75	13.50	1.25	8	3/4 - 10
10	14.25	16.00	1.50	12	7/8 - 9
12	17.00	19.00	1.50	12	7/8 - 9



DUCTILE IRON MECHANICAL JOINT WELD-ON BOSS

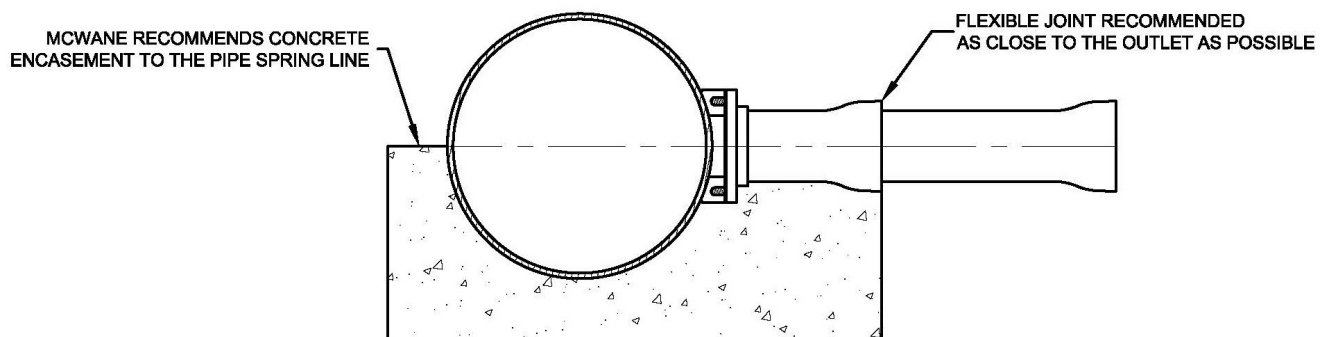
NOM. SIZE "A"	"C" BOLT CIRCLE	"D" O.D.	"T" THICKNESS	BOLT HOLES	TAP SIZE
4	7.50	9.12	3.50	4	3/4 - 10
6	9.50	11.12	3.50	6	3/4 - 10
8	11.75	13.37	3.50	6	3/4 - 10

WELD-ON BOSS DESIGN GUIDELINES

- McWane Ductile offers weld-on boss outlets in a variety of configurations and sizes.
- Weld-on bosses are machined from Ductile Iron or Carbon Steel.
- This is a shop fabrication only and not intended for field fabrication.
- Welded outlets are available with Flange or Mechanical Joint configurations.
- The minimum wall thickness of pipe used on the fabrication of welded outlet shall be Class 53.
- Piping systems with welded outlets must be designed so that bending loads are not applied to the outlet. Any restraint joint connections must be fully extended (all slack or pull out removed) to avoid unpredictable loading and stress on the welded outlet. This must be done prior to making final connections. Additionally, the design should avoid applications where frequent vibration is possible.
- Unsupported cantilever loading is not allowed on welded outlets.
- Outlet shall be supported in accordance with attached Detail A installation or equivalent.
- Welded outlets shall not be subjected to impact or bending stresses during handling, storage, shipment, installation, or operation.
- All lining and coating damage must be repaired prior to installation.



DETAIL A — WELD-ON BOSS INSTALLATION



POCKET ENGINEER

Available for iOS + Android
or online at pe.mcwane.com

CONNECT WITH US ON



mcwaneductile.com

NEW JERSEY

183 Sitgreaves St.
Phillipsburg, NJ 08865
908-454-1161

OHIO

2266 S. 6th St.
Coshocton, OH 43812
740-622-6651

UTAH

1401 E. 2000 South
Provo, UT 84606
801-373-6910



canadapipe.com

CANADA

55 Frid Street, Suite 1
Hamilton, ON L8P-4M3
905-547-32511